



# EURO 10

Article: **43402 E**

Feed-through terminal block – Yellowgreen  
 Screw connection - 10mm<sup>2</sup> / 6AWG - Width 9 mm



## GENERAL DATA

|                |                    |
|----------------|--------------------|
| Series         | <b>EURO 10</b>     |
| Item           | <b>43402 E</b>     |
| Weight/Piece   | <b>18,8 g</b>      |
| Customs tariff | <b>85369010</b>    |
| Page/Catalog   | <b>42 / 01</b>     |
| Colour         | <b>Yellowgreen</b> |
| Q.ty p.pck.    | <b>50</b>          |
| Q.ty p. box    | <b>1000</b>        |

## TECHNICAL DATA / DIMENSIONS

### Dimensions

|                          |            |
|--------------------------|------------|
| Width mm(in.)            | 9 (0.35)   |
| Length mm(in.)           | 50 (1.97)  |
| Height mm(in.)           | 44 (1.73)  |
| Mounting type (EN 60715) | Omega TH35 |

### Technical data

|  |       |
|--|-------|
| Maximum load current                   | 65A   |
| Insulating material                    | PA    |
| Self-extinguishing degree acc. to UL94 | V2    |
| Rated surge voltage                    | 8kV   |
| Pollution degree                       | 3     |
| Surge voltage category                 | III   |
| Insulating material group              | I     |
| Nominal Voltage                        | 1000V |
| Nominal Current                        | 57A   |

### Connection data

|   |                              |
|---|------------------------------|
| Conductor cross-section solid min/max   | 1.50 / 16 mm <sup>2</sup>    |
| Conductor cross-section stranded min/max  | 1.50 / 10 mm <sup>2</sup>    |
| AWG min/max   | 20-6AWG                      |
| Max conductor cross-section stranded with ferrule with plastic sleeve DIN 46228/4 | 10 mm <sup>2</sup> / L=18 mm |



|                   |                     |
|-------------------|---------------------|
| Stripping length  | max 12 mm / 0.475in |
| Screw             | M4                  |
| Tightening torque | 1.2Nm / 20 Lb-In    |

## APPROVALS



RINA

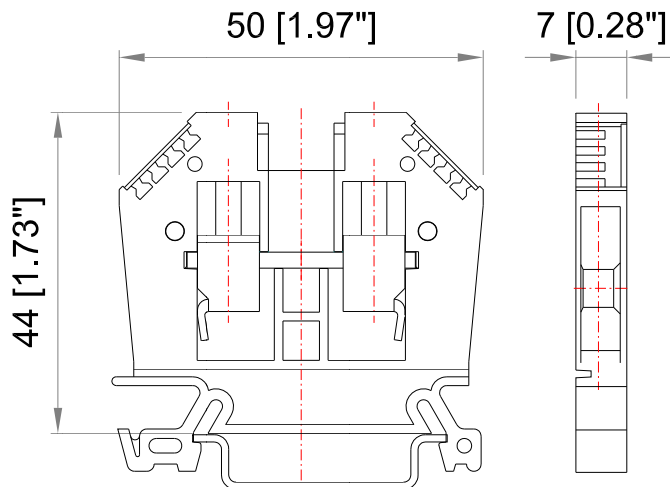
**EN60947-7-1**10mm<sup>2</sup> – 1000V – 57A**EN60068-2-11**

Salt mist test for 96 hours

**ENEL DV27****UL1059**  
E203985**C22.2 NO 158-10****SCCR** 100kA

AWG 20-6 – 600V – 65A

## TECHNICAL DRAWINGS



43401

## ACCESSORIES

### Marking

| Item                               | Description   |
|------------------------------------|---|
| <b>43059</b>                       | Single-digit marking tag (5 x 3 mm) - white               |
| <b>43060/0 ÷</b><br><b>43060/9</b> | Single-digit marking tag (5 x 3 mm) – with marking: 0 ÷ 9 |
| <b>43060/A ÷</b><br><b>43060/Z</b> | Single-digit marking tag (5 x 3 mm) – with marking: A ÷ Z |



### Marking

| Item                 | Description   |
|----------------------|---|
| <b>43094</b>         | Marking tag adapter – 6 slots for marking tags                |
| <b>43192</b>         | Marking tags (5 x 12 mm) - white (special marking on request) |
| <b>43196</b>         | Marking tags (6 x 12 mm) - white (special marking on request) |
| <b>438MFC0612TB</b>  | Tags 6x12 for MI and 438MWK0512TBA (39tags x 20cards)         |
| <b>438MWK0512TBA</b> | Tag adapter for: MI-EURO/Weid-WDU-ZDU/Klemsan -1box=250       |

### DIN RAIL system - Mounting and Installation material

| Item           | Description                                    |
|----------------|--|
| <b>43910</b>   | Steel Omega rail 35/7,5mm - 2mt length         |
| <b>43910/F</b> | Slotted steel Omega rail 35/7,5mm - 2mt length |
| <b>43911</b>   | Steel Omega rail 35/15mm - 2mt length          |
| <b>43911/F</b> | Slotted steel Omega rail 35/15mm - 2mt length  |
| <b>43028</b>   | Angled support bracket                         |
| <b>43442</b>   | EURO STOP - End bracket width 9                |
| <b>43444</b>   | EURO STOP - End bracket width 6                |
| <b>43447</b>   | EURO STOP - Snap-on end bracket width 6        |
| <b>43449</b>   | EURO STOP - End bracket cover profile carrier  |
| <b>43449-C</b> | EURO STOP - Cover profile - Length 100cm       |

### Additional items

| Item               | Description  |
|--------------------|--|
| <b>43011</b>       | End plate  |
| <b>43016</b>       | Separator  |
| <b>43031</b>       | Cover for EURO 6 - 10                                    |
| <b>43022/02S</b>   | Jumper bar (2 poles+200screws 43042) for EURO 10, 100pcs |
| <b>43022/03S</b>   | Jumper bar (3 poles+300screw 43042s) for EURO 10, 100pcs |
| <b>43022/04S</b>   | Jumper bar (4 poles+400screws 43042) for EURO 10, 100pcs |
| <b>43022/0.5MS</b> | Jumper bar (0,5m+55screws 43042) for EURO 10             |
| <b>43926 R</b>     | Red test plug adapter                                    |
| <b>43926 S</b>     | Black test plug adapter                                  |