



EURO 16-25

Article: **43403**

Feed-through terminal block - Grey
Screw connection - 25mm² / 4AWG - Width 12 mm



GENERAL DATA

Series	EURO 16-25
Item	43403
Weight/Piece	29.4 g
Customs tariff	85369010
Page/Catalog	43 / 01
Colour	Grey
Q.ty p.pck.	25
Q.ty p. box	500

TECHNICAL DATA / DIMENSIONS

Dimensions

Width mm(in.)	12 (0.46)
Length mm(in.)	56 (2.2)
Height mm(in.)	49 (1.93)
Mounting type (EN 60715)	Omega TH35

Technical data

Maximum load current	101A
Insulating material	PA
Self-extinguishing degree acc. to UL94	V2
Rated surge voltage	8kV
Pollution degree	3
Surge voltage category	III
Insulating material group	I
Nominal Voltage	1000V
Nominal Current	101A

Connection data

Conductor cross-section solid min/max	1.50 / 25 mm ²
Conductor cross-section stranded min/max	1.50 / 16 mm ²
AWG min/max	14-4AWG
Max conductor cross-section stranded with ferrule with plastic sleeve DIN 46228/4	25 mm ² / L=18 mm



Stripping length	max 12mm / 0.475in
Screw	M5
Tightening torque	2.0Nm / 30 Lb-In

APPROVALS



RINA

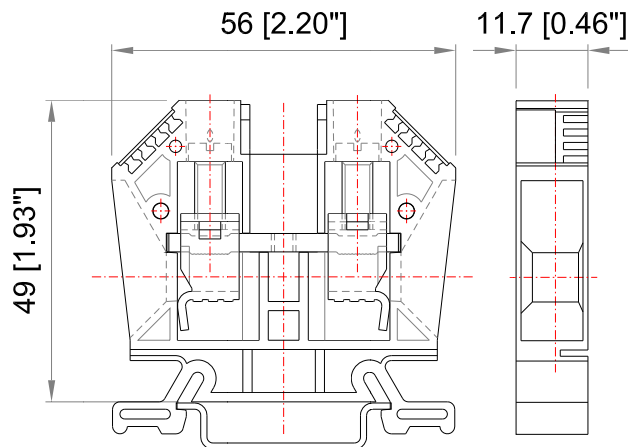
EN60947-7-125mm² – 1000V – 101A**EN60068-2-11**

Salt mist test for 96 hours

ENEL DV27**UL1059**
E203985**C22.2 NO 158-10****SCCR** 100kA

AWG 14-4 – 600V – 85A

TECHNICAL DRAWINGS



ACCESSORIES

Marking

Item	Description
43059	Single-digit marking tag (5 x 3 mm) - white
43060/0 ÷ 43060/9	Single-digit marking tag (5 x 3 mm) – with marking: 0 ÷ 9
43060/A ÷ 43060/Z	Single-digit marking tag (5 x 3 mm) – with marking: A ÷ Z



Marking

Item	Description
43094	Marking tag adapter – 6 slots for marking tags
43192	Marking tags (5 x 12 mm) - white (special marking on request)
43196	Marking tags (6 x 12 mm) - white (special marking on request)
438MFC0612TB	Tags 6x12 for MI and 438MVK0512TBA (39tags x 20cards)
438MVK0512TBA	Tag adapter for: MI-EURO/Weid-WDU-ZDU/Klemsan -1box=250

DIN RAIL system - Mounting and Installation material

Item	Description
43910	Steel Omega rail 35/7,5mm - 2mt length
43910/F	Slotted steel Omega rail 35/7,5mm - 2mt length
43911	Steel Omega rail 35/15mm - 2mt length
43911/F	Slotted steel Omega rail 35/15mm - 2mt length
43028	Angled support bracket
43442	EURO STOP - End bracket width 9
43444	EURO STOP - End bracket width 6
43447	EURO STOP - Snap-on end bracket width 6
43449	EURO STOP - End bracket cover profile carrier
43449-C	EURO STOP - Cover profile - Length 100cm

Additional items

Item	Description
43013	End plate
43033	Cover for EURO 16-25
43023/02S	Jumper bar (2 poles+100screws 43043) for EURO 16-25, 50pcs
43023/03S	Jumper bar (3 poles+150screws 43043) for EURO 16-25, 50pcs
43023/04S	Jumper bar (4 poles+200screws 43043) for EURO 16-25, 50pcs
43023/0.5MS	Jumper bar (0,5m+42screws 43043) for EURO 16-25