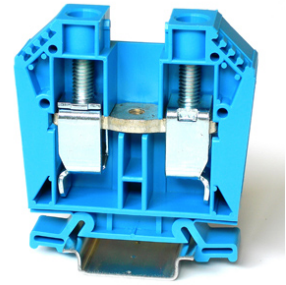




# EURO 35-50

Article: **43404 BL**

Feed-through terminal block - Blue  
Screw connection - 50mm<sup>2</sup> / 1/0AWG - Width 16 mm



## GENERAL DATA

Series	<b>EURO 35-50</b>
Item	<b>43404 BL</b>
Weight/Piece	<b>56 g</b>
Catalog	<b>01</b>
Customs tariff	<b>85369095</b>
Colour	<b>Blue</b>
Q.ty p.pck.	<b>25</b>
Q.ty p. box	<b>400</b>

## TECHNICAL DATA / DIMENSIONS

### Dimensions

Width mm(in.)	16 mm
Length mm(in.)	62 mm
Height mm(in.)	61 mm
Mounting type (EN 60715)	Omega TH35

### Technical data

Maximum load current	150A
Insulating material	PA
Self-extinguishing degree acc. to UL94	V0
Rated surge voltage	8kV
Pollution degree	3
Surge voltage category	III
Insulating material group	I
Nominal Voltage	1000V
Nominal Current	150A
Temperature index, insulating material – Elec. UL 746 B - RTI	130°C
Static insulating material lower permissible temperature	-60°C

### Connection data

Conductor cross-section solid min/max	2,50 / 50 mm <sup>2</sup>
Conductor cross-section stranded min/max	2,50 / 50 mm <sup>2</sup>



AWG min/max	14-1/0AWG
Max conductor cross-section stranded with ferrule with plastic sleeve DIN 46228/4	35 mm <sup>2</sup> / L=18 mm
Stripping length	max 17mm
Screw	M6 – Zinc plated steel
Tightening torque	2.5Nm / 45 Lb-In
Clamp	Zinc plated steel
Current bar	Tin Plated copper alloy

## APPROVALS



40016498

REG B573

**EN60947-7-1**50mm<sup>2</sup> – 1000V – 150A**EN60068-2-11**

Salt mist test for 96 hours

**ENEL DV27****UL1059**

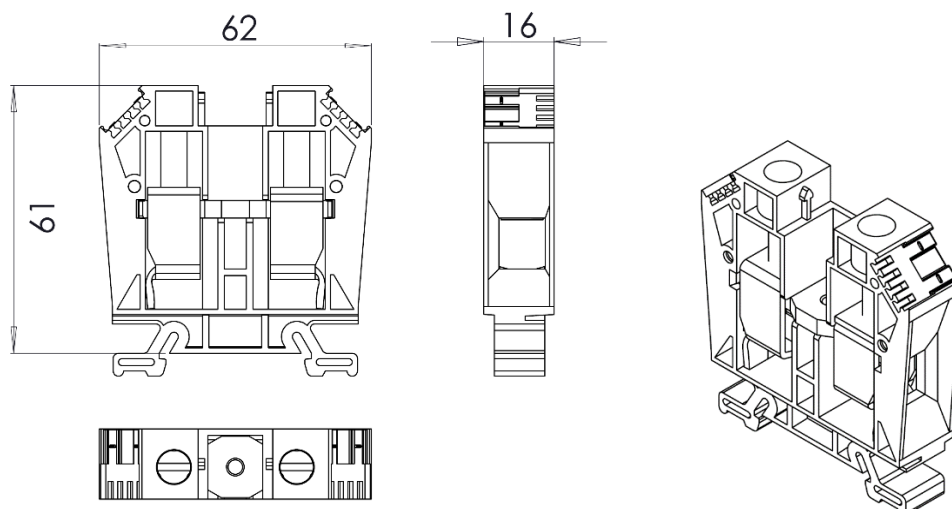
E203985

*Not suitable for Compact Stranded*

AWG 14-1/0 – 600V – 130A

**SCCR** 100kASee: <https://iq.ulprospector.com/en/profile?e=167250>

## TECHNICAL DRAWINGS





## ACCESSORIES

### Marking

Item	Description
<b>43059</b>	Single-digit marking tag (5 x 3 mm) - white
<b>43060/0 ÷ 43060/9</b>	Single-digit marking tag (5 x 3 mm) – with marking: 0 ÷ 9
<b>43060/A ÷ 43060/Z</b>	Single-digit marking tag (5 x 3 mm) – with marking: A ÷ Z
<b>43094</b>	Marking tag adapter – 6 slots for marking tags
<b>43192</b>	Marking tags (5 x 12 mm) - white (special marking on request)
<b>43196</b>	Marking tags (6 x 12 mm) - white (special marking on request)
<b>438MFC0612TB</b>	Tags 6x12 for MI and 438MVK0512TBA (39tags x 20cards)

### DIN RAIL system - Mounting and Installation material

Item	Description
<b>43910</b>	Steel Omega rail 35/7,5mm - 2mt length
<b>43910/F</b>	Slotted steel Omega rail 35/7,5mm - 2mt length
<b>43911</b>	Steel Omega rail 35/15mm - 2mt length
<b>43911/F</b>	Slotted steel Omega rail 35/15mm - 2mt length
<b>43028</b>	Angled support bracket
<b>43442</b>	EURO STOP - End bracket width 9
<b>43444</b>	EURO STOP - End bracket width 6
<b>43447</b>	EURO STOP - Snap-on end bracket width 6
<b>43448</b>	EURO STOP – Tag Carrier for TH35 or TH15 DinRail
<b>43449</b>	EURO STOP - End bracket cover profile carrier
<b>43449-C</b>	EURO STOP - Cover profile - Length 100cm

### Additional items

Item	Description
<b>43014</b>	End plate
<b>43034</b>	Cover for EURO 16-25
<b>43024/02S</b>	Jumper bar (2 poles+100screws 43043) for EURO35-50, 50pcs
<b>43024/03S</b>	Jumper bar (3 poles+150screws 43043) for EURO 35-50, 50pcs
<b>43024/04S</b>	Jumper bar (4 poles+100screws 43043) for EURO 35-50, 25pcs
<b>43024/0.5MS</b>	Jumper bar (0,5m+31screws 43043) for EURO 35-50