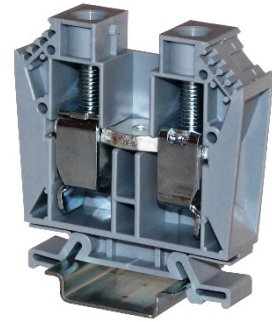




EURO 35-50

Article: **43404**

Feed-through terminal block - Grey
 Screw connection - 50mm² / 1/0AWG - Width 16 mm



GENERAL DATA

Series	EURO 35-50
Item	43404
Weight/Piece	56 g
Catalog	01
Customs tariff	85369095
Colour	Grey
Q.ty p.pck.	25
Q.ty p. box	400

TECHNICAL DATA / DIMENSIONS

Dimensions

Width mm(in.)	16 mm
Length mm(in.)	62 mm
Height mm(in.)	61 mm
Mounting type (EN 60715)	Omega TH35

Technical data

Maximum load current	150A
Insulating material	PA
Self-extinguishing degree acc. to UL94	V0
Rated surge voltage	8kV
Pollution degree	3
Surge voltage category	III
Insulating material group	I
Nominal Voltage	1000V
Nominal Current	150A
Temperature index, insulating material – Elec. UL 746 B - RTI	130°C
Static insulating material lower permissible temperature	-60°C

Connection data

Conductor cross-section solid min/max	2,50 / 50 mm ²
Conductor cross-section stranded min/max	2,50 / 50 mm ²



AWG min/max	14-1/0AWG
Max conductor cross-section stranded with ferrule with plastic sleeve DIN 46228/4	35 mm ² / L=18 mm
Stripping length	max 17mm
Screw	M6 – Zinc plated steel
Tightening torque	2.5Nm / 45 Lb-In
Clamp	Zinc plated steel
Current bar	Tin Plated copper alloy

APPROVALS



40016498

REG B573

**EN60947-7-1**50mm² – 1000V – 150A**EN60068-2-11**

Salt mist test for 96 hours

ENEL DV27**UL1059**

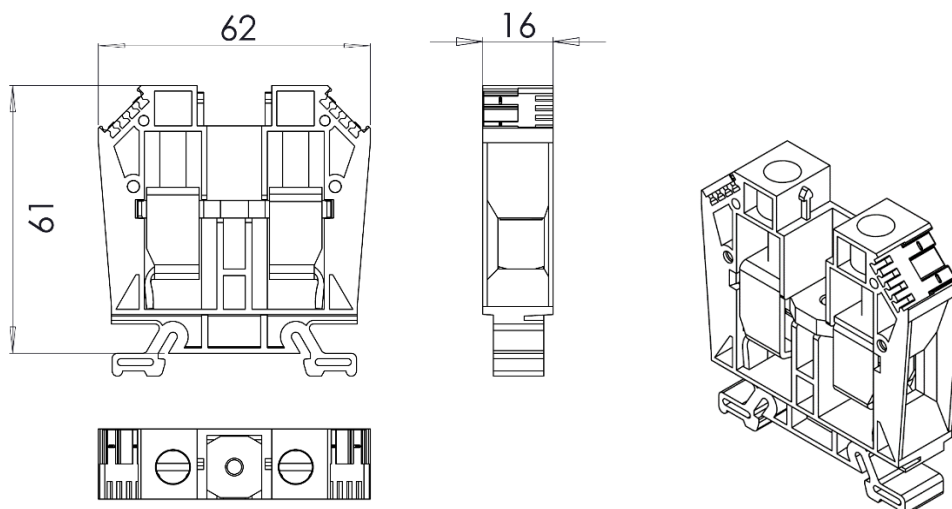
E203985

Not suitable for Compact Stranded

AWG 14-1/0 – 600V – 130A

SCCR 100kASee: <https://iq.ulprospector.com/en/profile?e=167250>

TECHNICAL DRAWINGS





ACCESSORIES

Marking

Item	Description
43059	Single-digit marking tag (5 x 3 mm) - white
43060/0 ÷ 43060/9	Single-digit marking tag (5 x 3 mm) – with marking: 0 ÷ 9
43060/A ÷ 43060/Z	Single-digit marking tag (5 x 3 mm) – with marking: A ÷ Z
43094	Marking tag adapter – 6 slots for marking tags
43192	Marking tags (5 x 12 mm) - white (special marking on request)
43196	Marking tags (6 x 12 mm) - white (special marking on request)
438MFC0612TB	Tags 6x12 for MI and 438MVK0512TBA (39tags x 20cards)

DIN RAIL system - Mounting and Installation material

Item	Description
43910	Steel Omega rail 35/7,5mm - 2mt length
43910/F	Slotted steel Omega rail 35/7,5mm - 2mt length
43911	Steel Omega rail 35/15mm - 2mt length
43911/F	Slotted steel Omega rail 35/15mm - 2mt length
43028	Angled support bracket
43442	EURO STOP - End bracket width 9
43444	EURO STOP - End bracket width 6
43447	EURO STOP - Snap-on end bracket width 6
43448	EURO STOP – Tag Carrier for TH35 or TH15 DinRail
43449	EURO STOP - End bracket cover profile carrier
43449-C	EURO STOP - Cover profile - Length 100cm

Additional items

Item	Description
43014	End plate
43034	Cover for EURO 16-25
43024/02S	Jumper bar (2 poles+100screws 43043) for EURO35-50, 50pcs
43024/03S	Jumper bar (3 poles+150screws 43043) for EURO 35-50, 50pcs
43024/04S	Jumper bar (4 poles+100screws 43043) for EURO 35-50, 25pcs
43024/0.5MS	Jumper bar (0,5m+31screws 43043) for EURO 35-50