



# EURO 2.5

Article: **43408 E**



Feed-through terminal block - YellowGreen  
Screw connection - 2.5mm<sup>2</sup> / 12AWG - Width 5 mm



## GENERAL DATA

Series	<b>EURO 2.5</b>
Item	<b>43408 E</b>
Weight/Piece	<b>6,4 g</b>
Catalog	<b>01</b>
Customs tariff	<b>85369095</b>
Colour	<b>YellowGreen</b>
Q.ty p.pck	<b>100</b>
Q.ty p. box	<b>3.300</b>

## TECHNICAL DATA / DIMENSIONS

### Dimensions

Width mm	5 mm
Length mm	44 mm
Height mm	36 mm
Mounting type (EN 60715)	Omega TH35

### Technical data

Maximum load current	24A
Insulating material	PA 66
Self-extinguishing degree acc. to UL94	V0
Rated surge voltage	8kV
Pollution degree	3
Surge voltage category	III
Insulating material group	I
Nominal Voltage	1000V
Nominal Current	24A
Temperature index, insulating material – Elec. UL 746 B - RTI	130°C
Static insulating material lower permissible temperature	-60°C

### Connection data

Conductor cross-section solid min/max	0.50 / 4 mm <sup>2</sup>
Conductor cross-section stranded min/max	0.50 / 4 mm <sup>2</sup>



AWG min/max	24-12AWG
Max conductor cross-section stranded with ferrule with plastic sleeve	2.5 mm <sup>2</sup> / L=12 mm
Stripping length	max 9 mm / 0.35in
Screw	M2.6 – Zinc plated steel
Tightening torque	0,5Nm / 4. 0 Lb.-In
Clamp	Zinc plated steel
Current bar	Tin Plated copper alloy

### APPROVALS and STANDARDS



40016498

REG B573



**EN60947-7-1**  
**EN60068-2-11**

2.5mm<sup>2</sup> – 1000V – 24A  
Salt mist test for 96 hours

**ENEL DV27**



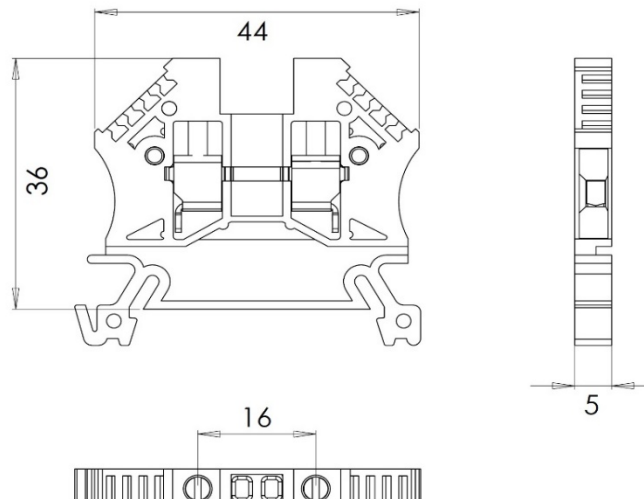
**UL1059**  
E203985

AWG 24-12 – 600V – 20A

**SCCR** 100kA

See: <https://iq.ulprospector.com/en/profile?e=167250>

### DISEGNI





## ACCESSORIES

### Marking

Item	Description
<b>43059</b>	Single-digit marking tag (5 x 3 mm) - white
<b>43060/0 ÷ 43060/9</b>	Single-digit marking tag (5 x 3 mm) – with marking: 0 ÷ 9
<b>43060/A ÷ 43060/Z</b>	Single-digit marking tag (5 x 3 mm) – with marking: A ÷ Z
<b>43094</b>	Marking tag adapter – 6 slots for marking tags
<b>43192</b>	Marking tags (5 x 12 mm) - white ( <i>special marking on request</i> )
<b>438MFC0512TB</b>	Tags 5x12 for MI Series and 438MWK0512TBA (45tags x 20cards)
<b>438MFC0512ST</b>	Strip -pitch 5 for:438MWK0512TBA and 438WLC0512TBA
<b>438MWK0512TBA</b>	Tag adapter for: MI-EURO/Weid-WDU-ZDU/Klemsan -1box=250

### DIN RAIL system - Mounting and Installation material

Item	Description
<b>43910</b>	Steel Omega rail 35/7,5mm - 2mt length
<b>43910/F</b>	Slotted steel Omega rail 35/7,5mm - 2mt length
<b>43911</b>	Steel Omega rail 35/15mm - 2mt length
<b>43911/F</b>	Slotted steel Omega rail 35/15mm - 2mt length
<b>43028</b>	Angled support bracket
<b>43442</b>	EURO STOP - End bracket width 9
<b>43444</b>	EURO STOP - End bracket width 6
<b>43447</b>	EURO STOP - Snap-on end bracket width 6
<b>43448</b>	EURO STOP – Tag Carrier for TH35 or TH15 DinRail
<b>43449</b>	EURO STOP - End bracket cover profile carrier
<b>43449-C</b>	EURO STOP - Cover profile - Length 100cm

### Additional items

Item	Description
<b>43010</b>	End plate
<b>43015</b>	Separator
<b>43035</b>	Cover for EURO 2.5
<b>43525/02</b>	EURO J2,5 - Jumper bar 2 poles - pitch 5,1mm
<b>43525/03</b>	EURO J2,5 - Jumper bar 3 poles - pitch 5,1mm
<b>43525/24</b>	EURO J2,5 - Jumper bar 24 poles - pitch 5,1mm
<b>43515</b>	Ratchet Cutting Tool for 43525/...Jumpers - orange - pitch 5,1mm
<b>43926 R</b>	Red test plug adapter
<b>43926 S</b>	Black test plug adapter