



EURO 4



Article: **43409 E**



Feed-through terminal block - YellowGreen
Screw connection - 4mm² / 10AWG - Width 6 mm



GENERAL DATA

Series	EURO 4
Item	43409 E
Weight/Piece	7.8 g
Catalog	01
Customs tariff	85369095
Colour	YellowGreen
Q.ty p.pck.	100
Q.ty p. box	3.000

TECHNICAL DATA / DIMENSIONS

Dimensions

Width mm	6 mm
Length mm	44 mm
Height mm	36 mm
Mounting type (EN 60715)	Omega TH35

Technical data

Maximum load current	32A
Insulating material	PA 66
Self-extinguishing degree acc. to UL94	V0
Rated surge voltage	8kV
Pollution degree	3
Surge voltage category	III
Insulating material group	I
Nominal Voltage	1000V
Nominal Current	32A
Temperature index, insulating material – Elec. UL 746 B - RTI	130°C
Static insulating material lower permissible temperature	-60°C

Connection data

Conductor cross-section solid min/max	0.50 / 6 mm ²
Conductor cross-section stranded min/max	0.50 / 6 mm ²



AWG min/max	24-10AWG
Max conductor cross-section stranded with ferrule with plastic sleeve DIN 46228/4	4 mm ² / L=12 mm
Stripping length	max 9 mm / 0.35in
Screw	M3 – Zinc plated steel
Tightening torque	0,6Nm / 7. 0 Lb-In
Clamp	Zinc plated steel
Current bar	Tin Plated copper alloy

APPROVALS



40016498

REG B573

**EN60947-7-1**4mm² – 1000V – 32A**EN60068-2-11**

Salt mist test for 96 hours

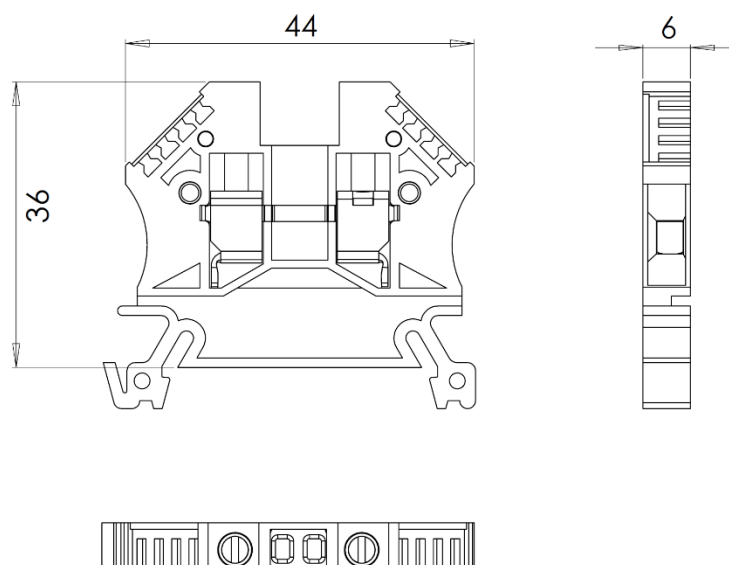
ENEL DV27**UL1059**

E203985

AWG 24-10 – 600V – 30A

SCCR 100kASee: <https://iq.ulprospector.com/en/profile?e=167250>

TECHNICAL DRAWINGS





ACCESSORIES

Marking

Item	Description
43059	Single-digit marking tag (5 x 3 mm) - white
43060/0 ÷ 43060/9	Single-digit marking tag (5 x 3 mm) – with marking: 0 ÷ 9
43060/A ÷ 43060/Z	Single-digit marking tag (5 x 3 mm) – with marking: A ÷ Z
43094	Marking tag adapter – 6 slots for marking tags
43192	Marking tags (5 x 12 mm) - white (<i>special marking on request</i>)
43196	Marking tags (6 x 12 mm) - white (<i>special marking on request</i>)
438MFC0612TB	Tags 6x12 for MI and 438MWK0512TBA (39tags x 20cards)
438MFC0612ST	Strip -pitch 6 for: MI EURO – 438MWK0512TBA – 438WLC0512TBA – 438PAC0512TBA
438MWK0512TBA	Tag adapter for: MI-EURO/Weid-WDU-ZDU/Klemsan -1box=250

DIN RAIL system - Mounting and Installation material

Item	Description
43910	Steel Omega rail 35/7,5mm - 2mt length
43910/F	Slotted steel Omega rail 35/7,5mm - 2mt length
43911	Steel Omega rail 35/15mm - 2mt length
43911/F	Slotted steel Omega rail 35/15mm - 2mt length
43028	Angled support bracket
43442	EURO STOP - End bracket width 9
43444	EURO STOP - End bracket width 6
43447	EURO STOP - Snap-on end bracket width 6
43448	EURO STOP – Tag Carrier for TH35 or TH15 DinRail
43449	EURO STOP - End bracket cover profile carrier
43449-C	EURO STOP - Cover profile - Length 100cm

Additional items

Item	Description
43010	End plate
43015	Separator
43030	Cover for EURO 4
43520/02	EURO J4 - Jumper bar 2 poles - pitch 6,1mm
43520/03	EURO J4 - Jumper bar 3 poles - pitch 6,1mm
43520/24	EURO J4 - Jumper bar 24 poles - pitch 6,1mm
43516	Ratchet Cutting Tool for 43520/...Jumpers - yellow - pitch 6,1mm
43926 R	Red test plug adapter
43926 S	Black test plug adapter