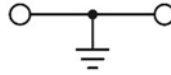




EURO E4

Article: **43454**



Earth Terminal Block - yellowgreen
Screw connection - 4mm² / 10AWG - Width 7 mm



GENERAL DATA

Series	EURO E4
Item	43454
Weight/Piece	18,0 g
Customs tariff	85369010
Page/Catalog	47 / 01
Colour	YellowGreen
Q.ty p.pck.	50
Q.ty p. box	1000

TECHNICAL DATA / DIMENSIONS

Dimensions

Width mm	7
Length mm	58
Height mm	37
Mounting type (EN 60715)	Omega TH35

Technical data

Maximum load current	-
Insulating material	PA
Self-extinguishing degree acc. to UL94	V2
Rated surge voltage	6kV
Pollution degree	3
Surge voltage category	III
Insulating material group	I
Nominal Voltage	-
Nominal Current	-

Connection data

Conductor cross-section solid min/max	0.5 / 6 mm ²
Conductor cross-section stranded min/max	0.5 / 4 mm ²
AWG min/max	24-10 AWG
Max conductor cross-section stranded with ferrule with plastic sleeve	4 mm ² / L=12 mm



Stripping length	max 10 mm / 0.39 in
Screw	M3
Tightening torque	0,6Nm / 7 Lbln.
Earth Screw	M3,5
Tightening torque	0.6Nm / 7 Lbln.

APPROVALS

RINA

EN60947-7-2 4mm²

EN60068-2-11 Salt mist test for 96 hours

ENEL DV27



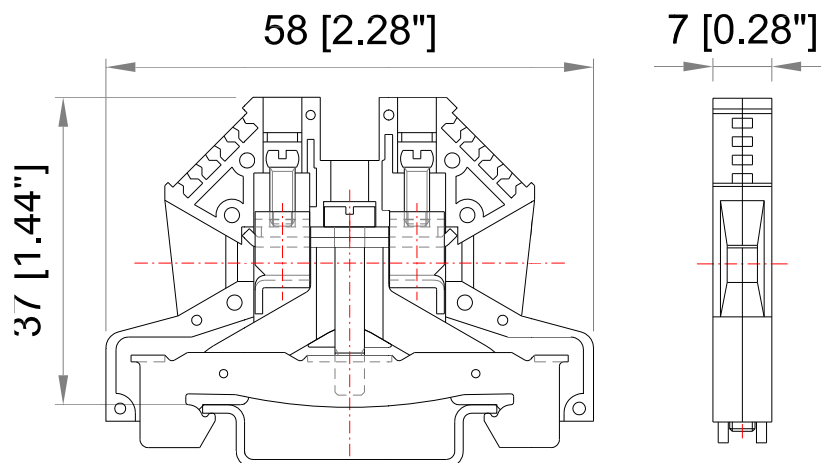
UL1059
E203985



C22.2 NO 158-10

AWG 24-10

TECHNICAL DRAWINGS



43454



ACCESSORIES

Marking

Item	Description
43059	Single-digit marking tag (5 x 3 mm) - white
43060/0 ÷ 43060/9	Single-digit marking tag (5 x 3 mm) – with marking: 0 ÷ 9
43060/A ÷ 43060/Z	Single-digit marking tag (5 x 3 mm) – with marking: A ÷ Z
43094	Marking tag adapter – 6 slots for marking tags
43192	Marking tags (5 x 12 mm) - white (<i>special marking on request</i>)
43196	Marking tags (6 x 12 mm) - white (<i>special marking on request</i>)
438MFC0612TB	Tags 6x12 for MI and 438MWK0512TBA (39tags x 20cards)
438MWK0512TBA	Tag adapter for: MI-EURO/Weid-WDU-ZDU/Klemsan -1box=250

DIN RAIL system - Mounting and Installation material

Item	Description
43910	Steel Omega rail TH35/7,5mm - 2mt length
43910/F	Slotted steel Omega rail TH35/7,5mm - 2mt length
43911	Steel Omega rail TH35/15mm - 2mt length
43911/F	Slotted steel Omega rail TH35/15mm - 2mt length
43028	Angled support bracket
43442	EURO STOP – End bracket width 9
43444	EURO STOP – End bracket width 6
43447	EURO STOP – Snap-on end bracket width 6
43448	EURO STOP – Tag Carrier for TH35 or TH15 DinRail
43449	EURO STOP – End bracket cover profile carrier
43449-C	EURO STOP – Cover profile - Length 100cm