

# EURO J2.5

PATENT

Article: **43525/24**



Plug-in 24 poles insulated and divisible jumper – Orange  
Pitch 5,1mm – for width 5mm terminal blocks



## GENERAL DATA

Series	<b>EURO J</b>
Item	<b>43525/24</b>
Weight/Piece	<b>9.2 g</b>
Customs tariff	<b>8536901</b>
Page/Catalog	<b>136 / 01</b>
Colour	<b>Orange</b>
Q.ty p.pck.	1 bag (= 5 pieces)
Q.ty p. box	-

## TECHNICAL DATA / DIMENSIONS

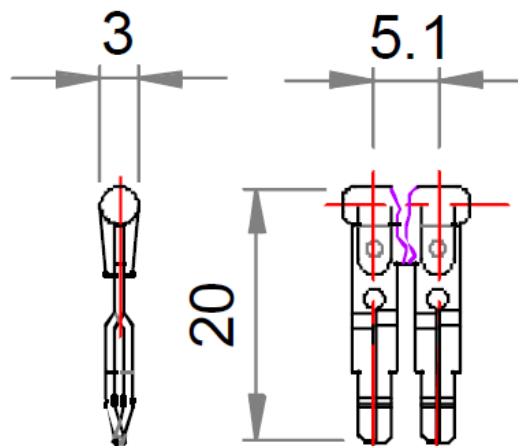
### Dimensions

Width mm	3
Length mm	117.3
Pitch mm	5.1

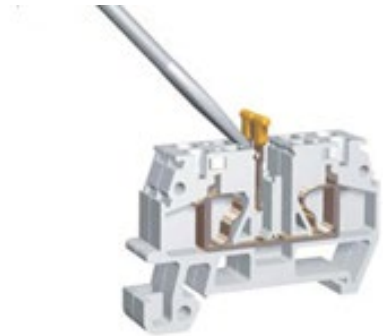
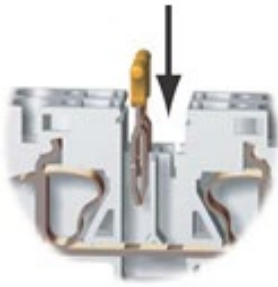
### Technical data

Insulating material	PA68
Self-extinguishing degree acc. to UL94	V0
Jumper bar	Copper alloy
Nominal Current	20A

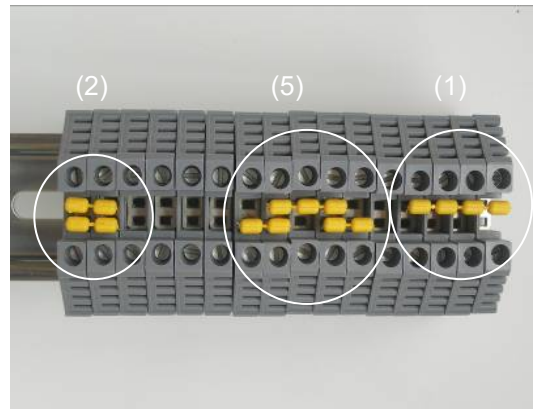
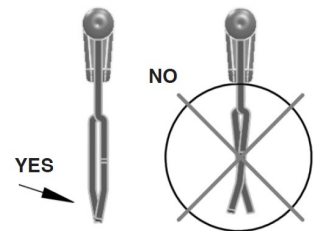
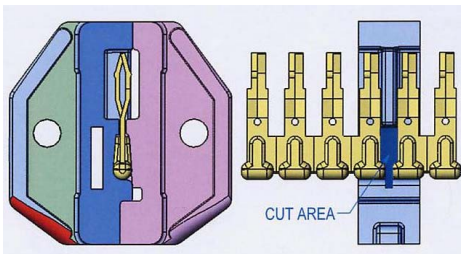
## TECHNICAL DRAWINGS



APPLICATION



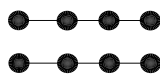
Assembly plug-in jumper



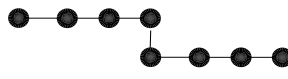
①



②



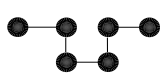
③



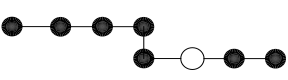
④



⑤



⑥



⑦



○ = Contatto tagliato / breaking off contact leg

## ACCESSORIES

### Tools

Item	Description
<b>43515</b>	Ratchet Cutting Tool for 43520/25 - EURO J2.5 -yellow
<b>43515-MT</b>	Replacement Die for 43515 - EURO J2.5 (Qty.p.pck=2)

### Additional items

Item	Description
<b>43408 (all colors – TT versions)</b>	EURO 2.5 Feedthrough Terminal block
<b>43560 (all colors – TT versions)</b>	EURO XM1/2V 2,5/35 multiple terminal block 1/2 vertical
<b>43561 (all colors – TT versions)</b>	EURO XDV 2,5/35 vertical two stage terminal block
<b>43567(all colors – TT versions)</b>	EURO XM1/2VH 2,5/35 multiple terminal block 1/2 vert./horiz.
<b>88B2Mxxx</b>	EURO88 FIVEone Relay socket SERIES
<b>88E2Mxxx</b>	EURO88 FIVEone Relay Interface SERIES
<b>88H2Mxxx</b>	EURO88 FIVEone Static Relay Module SERIES
<b>88H2Mxxx</b>	EURO88 FIVEone Signal Converter SERIES
<b>42560 (all colors – TT versions)</b>	EURO XM1/2V 2.5 multiple t.b.1/2 vertical-spring connection
<b>42561 (all colors – TT versions)</b>	EURO XDV 2,5/35 vertical two stage terminal block- spring
<b>42567 (all colors – TT versions)</b>	EURO XM1/2V 2.5 multiple t.b.1/2 vert/horiz-spring system
<b>42416 (all colors)</b>	EURO Q 2.5 Feedthrough Screwless Terminal Block
<b>42440 (all colors)</b>	EURO QDJ/2.5 Two stage screwless Terminal Block (diode and LED)
<b>42413 (all colors)</b>	EURO QM1/2 2.5 Screwless Feedthrough terminal block multiple 1+2
<b>42414 (all colors)</b>	EURO QM2/2 2.5 Screwless Feedthrough terminal block multiple 2+2
<b>42419</b>	EURO QT 2,5 Screwless disconnecter terminal block
<b>5372100 (all colors)</b>	EURO Full 2.5 Feedthrough Terminal block -screw
<b>5272100 (all colors)</b>	EURO Full 2.5 Feedthrough Terminal block -spring